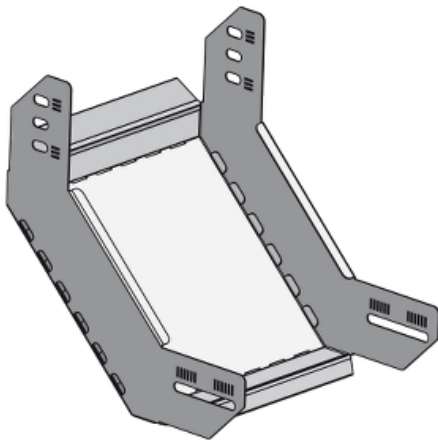


**Product data sheet**  
**Characteristics**

**CSU362330124**

Stago - internal riser - 60x300 mm - 1 mm - steel - hot-dip galvanized



**Main**

|                           |                  |
|---------------------------|------------------|
| Range of product          | Stago            |
| Range                     | Stago            |
| Product or component type | Riser            |
| Device application        | Cable management |

**Complementary**

|                                  |  |
|----------------------------------|--|
| Operating angle                  | 90 °   |
| Direction change type            | Vertical                                       |
| Inner radius                     | 180 mm   |
| Adjustment                       | Fixed  |
| Shape                            | Bended   |
| Product destination              | TV184 cable tray 60 mm height and 300 mm width |
| Fixing mode                      | By screw                                       |
| Material                         | Steel, hot-dip galvanized                      |
| Atmospheric-corrosivity category | C3/C4  |
| Thickness                        | 1 mm   |
| Height                           | 110 mm   |
| Width                            | 300 mm   |
| Depth                            | 270 mm   |
| Product weight                   | 1.004 kg / set of 1                            |

**Environment**

|                              |   |
|------------------------------|---|
| Environmental characteristic | For area with high level of environmental corrosion, humidity and airborne pollution, such as industrial and coastal areas, chemical plants |
|------------------------------|---|

**Offer Sustainability**

|                                  |   |
|----------------------------------|---|
| RoHS (date code: YYWW)           | Compliant - since 1101 - Schneider Electric declaration of conformity<br><a href="#">Schneider Electric declaration of conformity</a> |
| REACH                            | Reference not containing SVHC above the threshold<br><a href="#">Reference not containing SVHC above the threshold</a>                |
| Product end of life instructions | Need no specific recycling operations   |