



Main

Range of product	Harmony XB5R
Product or component type	Wireless and batteryless range
Device short name	ZBRA
Product destination	For XB5R and XB4R Ø 22 mm control units
Control station application	Transceiver (emission and reception)
Transmission frequency	2405 MHz for transmitter 2405 MHz for receiver
Level or class	5M00G7W
Antenna type	Omnidirectional

Complementary

Colour of base of enclosure	Black
Communication port protocol	Zigbee green power at 2.4 GHz conforming to IEEE 802.15.4
Maximum sensing distance	90 m between transmitter and antenna
[Us] rated supply voltage	24...240 V AC/DC at 50/60 Hz (+/- 10 %)
Operating position	Vertical
Status LED	1 LED for emission signal 1 LED for power ON
Max power consumption in W	1 mW
Number of channels	1
Modulation technique	O-QPSK
Bandwidth	5 MHz
Antenna gain	0 dBi
Marking	Ex d IIC T6 Gb Ex tb IIIC T85°C Db IP65
Electrical connection	2 conductors cable 0.34 mm ² - flexible - 5 m conforming to EN/IEC 60947-1
Tightening torque	0.6 N.m conforming to EN/IEC 60947-1
Housing material	Plastic
Short-circuit protection	Fuse fast blow 0.4 A
CAD overall height	280 mm
CAD overall width	160 mm
CAD overall depth	160 mm

Product weight	3.1 kg
----------------	--------

Environment

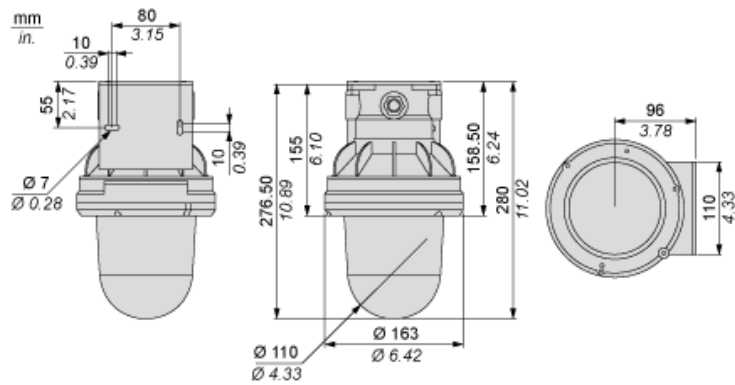
Ambient air temperature for storage	-40...70 °C
Relative humidity	90 % at -20...55 °C without condensation conforming to ETSI EN 300 440-1
IP degree of protection	IP65 conforming to IEC 60529
Radio agreement	RSS SRRC ANATEL conforming to ETSI EN 301 489-3 type III ARIB T66 conforming to ETSI EN 301 489-3 class 2 FCC conforming to ETSI EN 300 440-1 category 2 ICASA conforming to ETSI EN 300 440-1 category 1
Product certifications	CE CSA IEC-Ex GOST CCC C-Tick UL BT 2006/95/EC
Directives	1999/5/EC - R&TTE directive 94/9/EC - ATEX directive 2004/108/EC - electromagnetic compatibility
Standards	CSA C22.2 No 14 UL 508 EN/IEC 60947-5-1 EN/IEC 60947-1

Offer Sustainability

RoHS (date code: YYWW)	Compliant - since 1402 - Schneider Electric declaration of conformity Schneider Electric declaration of conformity
REACH	Reference not containing SVHC above the threshold Reference not containing SVHC above the threshold

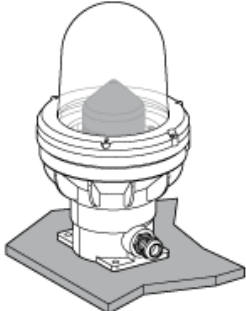
Relay Antenna

Dimensions



ZBRA1EX

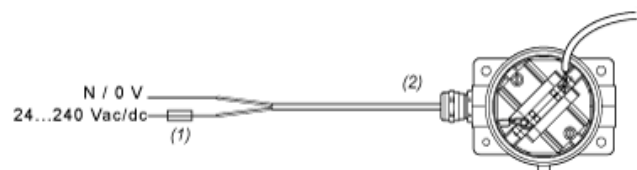
Relay Antenna Mounting



The Antenna is installed following its vertical axis

Relay Antenna

Wiring Diagram



- (1) 250V -500 mA fast-blow fuse
- (2) Wire size 0.5...2.5mm² /20...14 AWG

ZBRA1EX