



### Main

Range of product	Harmony XB5R
Product or component type	Empty handy box
Device short name	ZBRM
Product destination	For XB5R Ø 22 mm control units
Control station application	One function

### Complementary

Colour of base of enclosure	Dark grey RAL 7016
Colour of cover	Dark grey RAL 7016
Material	Polycarbonate
CAD overall width	100.6 mm
CAD overall height	60 mm
Product weight	0.2 kg
Main group	1 cut-out
Group of product	Handy grey
Compatibility code	XB5R

### Environment

Ambient air temperature for storage	-40...70 °C
Ambient air temperature for operation	-25...55 °C
IP degree of protection	IP65 conforming to IEC 60529
IK degree of protection	IK03 conforming to EN 50102
Standards	EN/IEC 60947-5-1 UL 508 CSA C22.2 No 14 ETSI EN 301 489-1 ETSI EN 301 489-3 ETSI EN 300 440-2 ETSI EN 300 440-1
Product certifications	CE C-Tick FCC GOST ANATEL

ZBRM01

Disclaimer: This documentation is not intended as a substitute for and is not to be used for determining suitability or reliability of these products for specific user applications

SRRC  
BT 2006/95/EC  
RSS


---

Directives	2004/108/EC - electromagnetic compatibility 1999/5/EC - R&TTE directive
------------	--

---

### Offer Sustainability

---

RoHS (date code: YYWW)	Compliant - since 1108 - Schneider Electric declaration of conformity  <a href="#">Schneider Electric declaration of conformity</a>
------------------------	---

---

### Contractual warranty

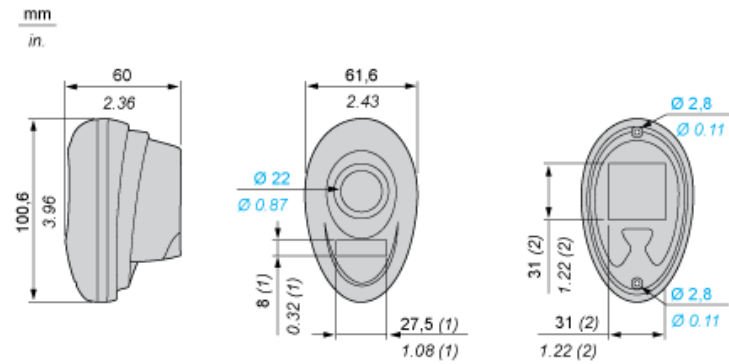
---

Warranty period	18 months
-----------------	-----------

---

## Wireless and Batteryless Pushbutton - Transmitter

### Plastic Handy Box for Mobile Use



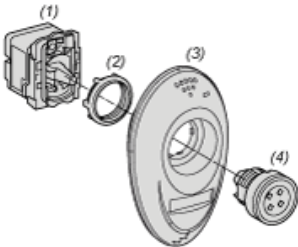
- (1) Location for ZBY0101T legend.
- (2) Location for magnet to be stuck on by the customer.

# ZBRM01

---

Mounting of Empty Mobile Box

---



- (1): Transmitter
- (2): Fixing nut
- (3): Empty mobile box
- (4): Pushbutton