



### Main

Range of product	Harmony XB5R
Product or component type	Wireless and batteryless transmitter
Device short name	XB5R
Product destination	For XB5R Ø 22 mm control units
Control station application	One function

### Complementary

Colour of cover	Brown
Material	Plastic Leather
CAD overall width	100.6 mm
CAD overall height	60 mm
Product weight	0.15 kg
Radio agreement	RSS SRRC ANATEL conforming to ETSI EN 301 489-3 FCC conforming to ETSI EN 300 440-1
Product certifications	CE C-Tick GOST BT 2006/95/EC EMC directive 2004/108/EC R&TTE directive 1999/5/EC IEC-Ex INERIS 12ATEX0056
Standards	Directive ATEX 94/9/EC EN/IEC 60947-5-1 UL 508 CSA C22.2 No 14 ETSI EN 301 489-1 ETSI EN 300 440-2
Marking	Ex ib I Mb Ex ib IIC T6 Gb Ex ib IIIC T85°C Db IP65
Compatibility code	XB5R

Disclaimer: This documentation is not intended as a substitute for and is not to be used for determining suitability or reliability of these products for specific user applications

## Environment

---

Ambient air temperature for storage	-40...70 °C
IP degree of protection	IP65 conforming to IEC 60529

---

## Offer Sustainability

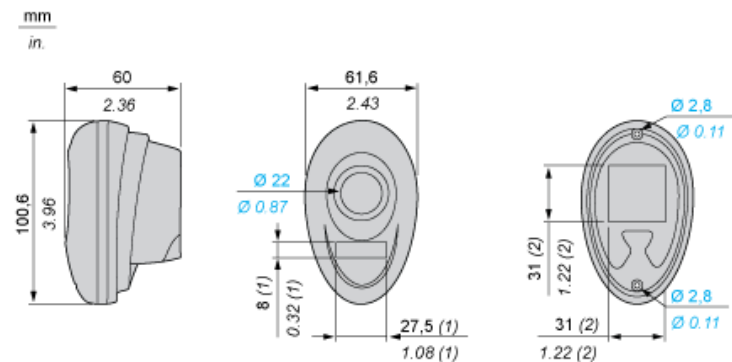
---

RoHS (date code: YYWW)	Will not be compliant
	Will not be compliant

---

## Wireless and Batteryless Pushbutton - Transmitter

### Plastic Handy Box for Mobile Use



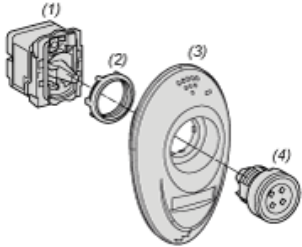
- (1) Location for ZBY0101T legend.  
(2) Location for magnet to be stuck on by the customer.

# ZBRM01EX

---

## Mounting of Empty Mobile Box

---



- (1): Transmitter
- (2): Fixing nut
- (3): Empty mobile box
- (4): Pushbutton