



Main

Range of product	Harmony XB5R
Product or component type	Empty handy box
Device short name	ZBRM
Product destination	For XB5R Ø 22 mm control units
Control station application	One function

Complementary

Colour of base of enclosure	Green Pantone 355C
Colour of cover	Dark grey RAL 7016
Material	Polycarbonate
CAD overall width	152 mm
CAD overall height	61 mm
Product weight	0.11 kg
Main group	1 cut-out
Group of product	Handy green
Compatibility code	XB5R

Environment

Ambient air temperature for storage	-40...70 °C
Ambient air temperature for operation	-25...55 °C
IP degree of protection	IP65 conforming to IEC 60529
IK degree of protection	IK03 conforming to EN 50102
Standards	ETSI EN 301 489-1 ETSI EN 300 440-1 UL 508 EN/IEC 60947-5-1 CSA C22.2 No 14 ETSI EN 300 440-2 ETSI EN 301 489-3

Product certifications	ANATEL FCC RSS SRRC BT 2006/95/EC C-Tick GOST CE
Directives	2004/108/EC - electromagnetic compatibility 1999/5/EC - R&TTE directive

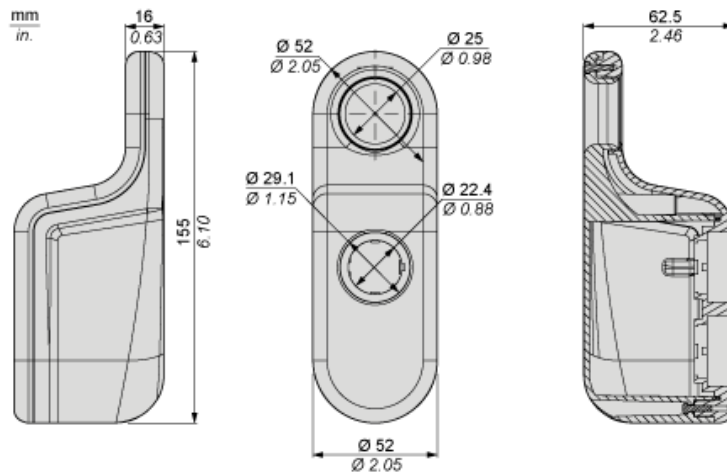
Offer Sustainability

Sustainable offer status	Green Premium product
RoHS (date code: YYWW)	Compliant - since 1402 - Schneider Electric declaration of conformity Schneider Electric declaration of conformity
REACH	Reference not containing SVHC above the threshold Reference not containing SVHC above the threshold
Product environmental profile	Available
Product end of life instructions	Need no specific recycling operations

Dimensions

Wireless and Batteryless Pushbutton

Plastic Mobile Box for Mobile or Fix Use - 1 Function



ZBRM21