

ZBRM22B0

wireless and battery less handy box, 2 double action buttons



Main

Range of product	Harmony XB5R
Product or component type	Wireless and batteryless transmitter
Device short name	XB5R
Kit composition	1 ZBA80 set of caps 1 ZBRM22 handy box 2 ZBRT2 transmitter
Contact operation	2 double action UP/DOWN push-buttons
Bezel material	Plastic
Fixing collar material	Plastic
Mounting diameter	22 mm

Complementary

Shape of signaling unit head	Round
Type of operator	Spring return push-button with transmitter
Operator profile	Flush
Operator additional information	Set of caps
CAD overall width	65 mm
CAD overall height	163 mm
CAD overall depth	65 mm
Product weight	0.2 kg
Mechanical durability	400000 cycles
Operating travel	4.3 mm total travel
Operating force	< 25 N C/O changing electrical state
Shock resistance	25 gn (duration = 6 ms) for 6000 shocks conforming to IEC 60068-2-27 30 gn (duration = 18 ms) for half sine wave acceleration conforming to IEC 60068-2-27 50 gn (duration = 11 ms) for half sine wave acceleration conforming to IEC 60068-2-27
Mechanical robustness	Free fall resistance (test level: 1000 mm) conforming to EN/IEC 60068-2-32
Communication port protocol	Zigbee green power at 2.4 GHz
Maximum sensing distance	100 m (in free field) 25 m (transmitter in the handy box and receiver in a metal enclosure) 300 m (transmitter in the handy box, receiver in metal enclosure and use relay-antenna)
Acquisition time	2 ms
Response time	< 2 ms

Emission power	3 mW
Main group	Wireless push-button
Group of product	Flush push wireless

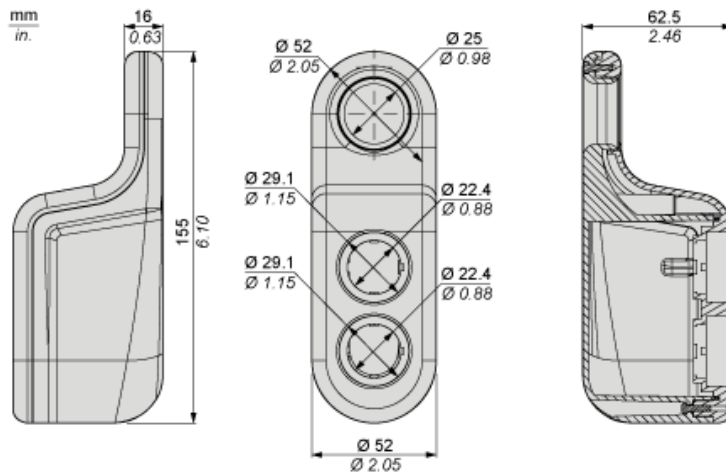
Environment

Ambient air temperature for storage	-40...70 °C
Ambient air temperature for operation	-25...55 °C
IP degree of protection	IP65 on front face conforming to IEC 60529 IP65 on front face conforming to UL Type 12
IK degree of protection	IK03 conforming to IEC 50102
Relative humidity	95 % at 70 °C without condensation
Vibration resistance	+/- 10 mm (f = 2...11 Hz) conforming to IEC 60068-2-6 5 gn (f = 11...500 Hz) conforming to IEC 60068-2-6
Electromagnetic compatibility	Immunity for industrial environments Radiated emission Susceptibility to electromagnetic fields : 3 V/m, 80...2700 MHz, distance = 20 m Susceptibility to electromagnetic fields : 10 V/m, 80...2000 MHz Electrostatic discharge immunity test : 6 kV, on contact (on metal parts) Electrostatic discharge immunity test : 8 kV, in free air (in insulating parts)
Radio agreement	RSS SRRC ICASA ANATEL ARIB T66 FCC
Standards	EN/IEC 60947-5-1 CSA C22.2 No 14 EN/IEC 60947-1 UL 508
Product certifications	CSA UL C-Tick BT 2006/95/EC EAC CCC
Directives	2004/108/EC - electromagnetic compatibility 1999/5/EC - R&TTE directive

Dimensions

Wireless and Batteryless Pushbutton

Plastic Mobile Box for Mobile or Fix Use - 2 Functions



ZBRM22B0