



Main

| | |
|-------------------------------|-------------|
| Range of product | Harmony XB5 |
| Sale per indivisible quantity | 10 |

Complementary

| | |
|------------------------------------|---|
| Thickness | 1.5...5 mm |
| Product or component type | Protection cover |
| Material | Plastic |
| Accessory / separate part category | Protection accessories |
| Product compatibility | Panel mounted USB port XB5P Panel mounted RJ45 port XB5P |
| IP degree of protection | IP65 IEC 60529 IP67 IEC 60529 |
| Colour | Black |

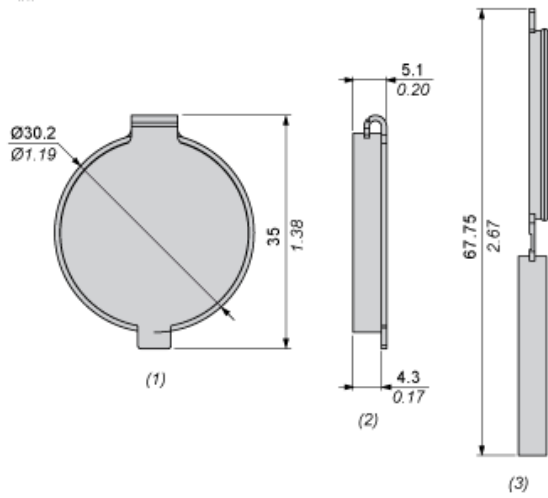
Offer Sustainability

| | |
|------------------------|---|
| RoHS (date code: YYWW) | Compliant - since 1645 - Schneider Electric declaration of conformity Schneider Electric declaration of conformity |
| REACH | Reference not containing SVHC above the threshold Reference not containing SVHC above the threshold |

ZBSP1

Dimensions

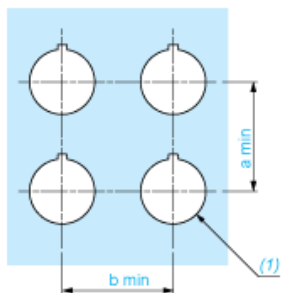
mm
in.



- (1) Front view
- (2) Side view - Closed
- (3) Side view - Open

Panel Cut-out for Protective Cover (Finished Holes, Ready for Installation)

Connection by Screw Clamp Terminals or Plug-in Connectors



(1) Diameter on finished panel or support

| Connections | a in mm | a in in. | b in mm | b in in. |
|---|---------|----------|---------|----------|
| By screw clamp terminals or plug-in connector | 40 | 1.57 | 40 | 1.57 |